

6.35mm(.250") Wire To Wire And Wire To Board Connector



Connector & Terminal

SPECIFICATIONS:

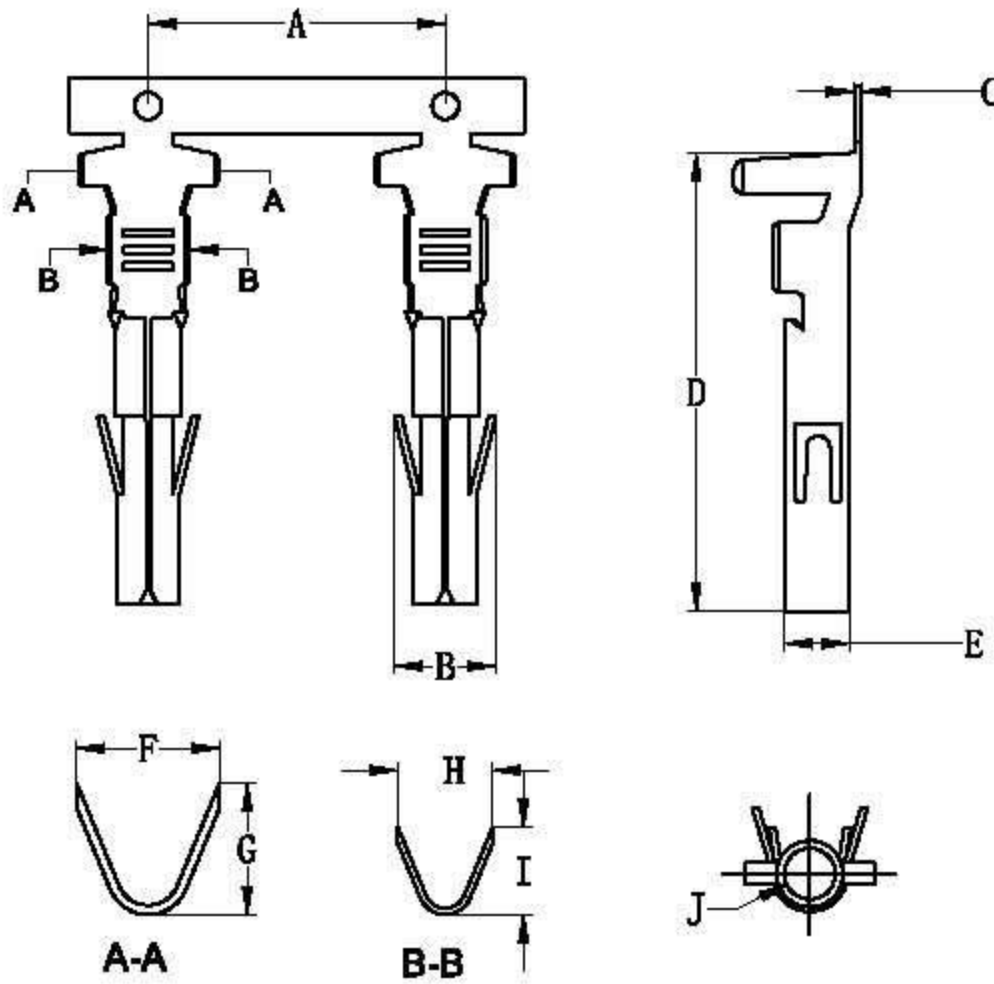
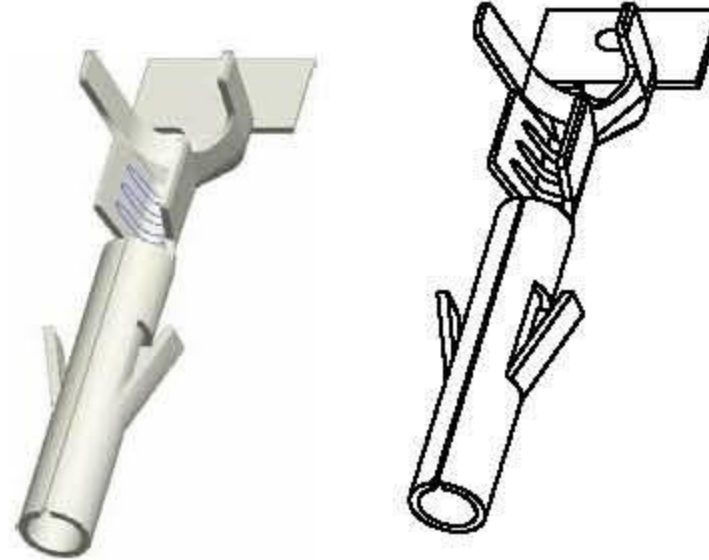
- Current Rating:15A AC,DC
- Voltage Rating:600V AC,DC
- Contact Resistance:10mΩ max.
- Withstanding Voltage:5000V AC/minute

Shenzhen Hongru Connector Co., Ltd

Email:yukyli@hrb-connector.com
 Tel: 86-0755 2709 6669
 Fax: 86-0755 2709 2392
 Skype: haiyuncheng-vivian
 Mobile(whatsapp): 86-186 8112 3590
 Website: http://www.hrb-connector.com

Terminal

- Wire Size:AWG#14~#24
- Material:Brass
- Finish:Tin Plated
- Thickness:0.30mm
- Qty/Reel:5000pcs
- Terminal In Housing Retention Force Requirement:8.0kg (Min.)
- GWT:750°C IEC-60335-1



Ordering Information And Dimensions

Part NO.	A	B	C	D	E	F	G	H	I	J	Applicable wire	Q'ty
T9848BS-2	11.00	4.20	0.30	19.30	2.65	4.10	4.60	2.90	3.50	2.06	AWG#18~#20	5000PCS
T9848BS-2A	15.80	4.30	0.30	20.00	2.65	5.80	6.10	3.20	3.30	2.06	AWG#16~#14 or 2*#18	3000PCS
T9848BS-2B	11.00	4.20	0.30	19.30	2.65	2.60	2.40	2.00	2.10	2.06	AWG#22~#24	5000PCS

PART CODE INFORMATION

XXXX XX - X

I II III

I-T9858 Denoting series designation.

II-BS denoting brass of body

III-2 ,2A or 2B ,Denoting different of body construction

