

4.2mm(.165")Wire To Wire And Wire To Board Connector

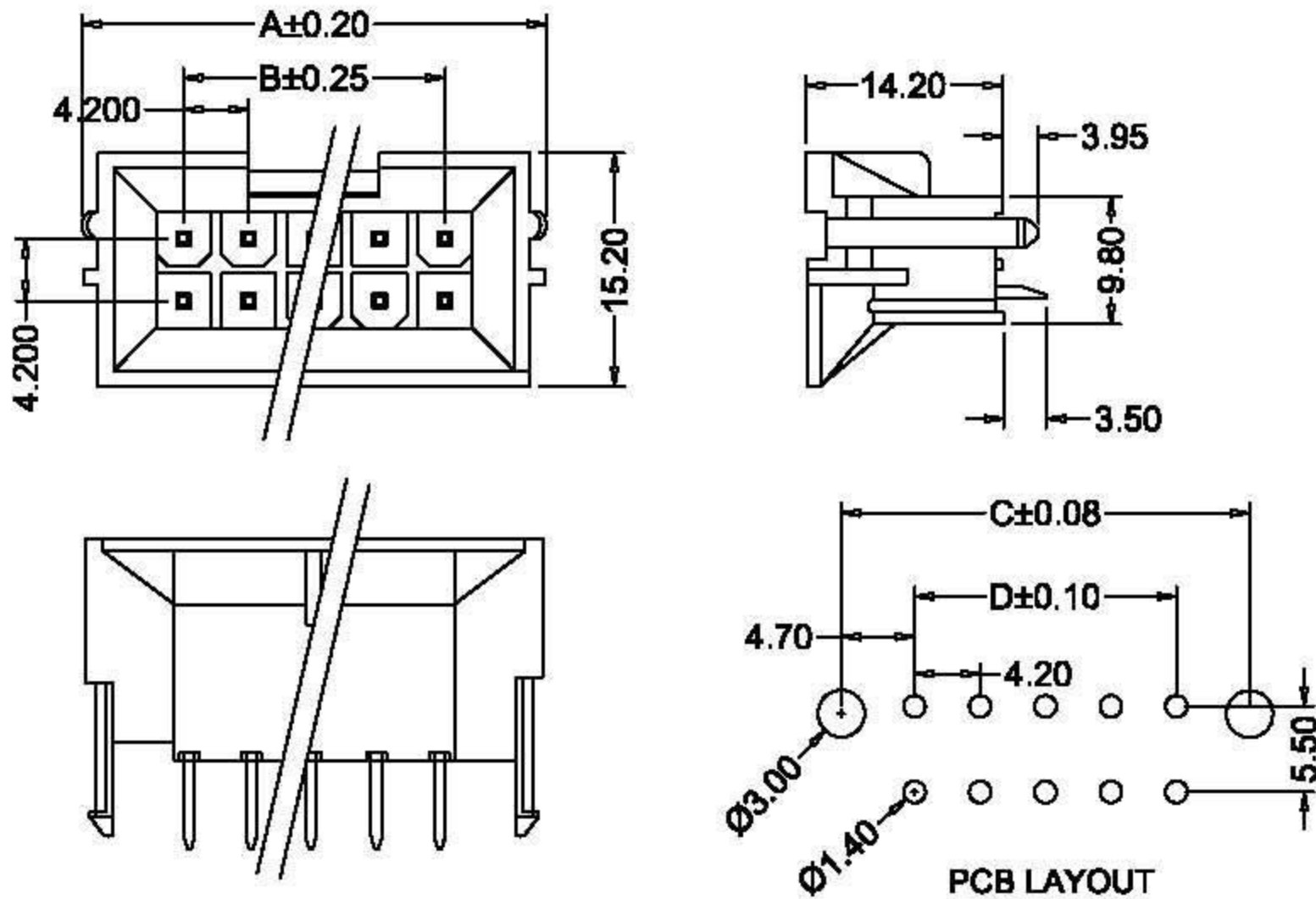
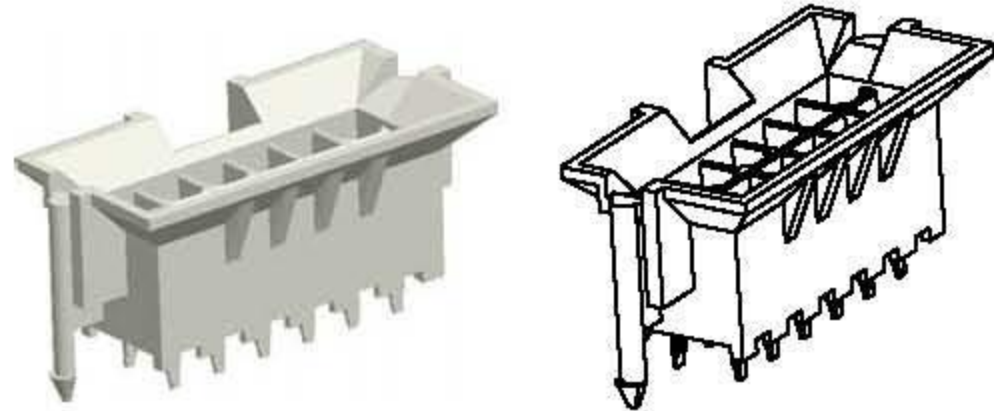


Shenzhen Hongru Connector Co., Ltd

SPECIFICATIONS:

- Current Rating: 9A AC, DC
- Voltage Rating: 600V AC, DC
- Operating Temperature: -25°C ~ +105°C
- Contact Resistance: 10mΩ max.
- Insulation Resistance: 1000MΩ Min.
- Withstanding Voltage: 1500V AC/minute
- Material: Housing: Nylon UL94V-0
Pin: Brass, Tin plated

Email: yukyli@hrb-connector.com
Tel: 86-0755 2709 6669
Fax: 86-0755 2709 2392
Skype: haiyuncheng-vivian
Mobile(whatsapp): 86-186 8112 3590
Website: <http://www.hrb-connector.com>



Ordering Information And Dimensions

Part NO.	Dimensions	Part NO.	Dimensions								
TYP UL94V-0	Circuits	Dim:A	Dim:B	Dim:C	Dim:D	TYP UL94V-0	Circuits	Dim:A	Dim:B	Dim:C	Dim:D
M42440-2x2	4	17.40	4.20	4.20	13.60	M42440-2x8	16	42.60	29.40	29.40	38.80
M42440-2x3	6	21.80	8.40	8.40	17.80	M42440-2x9	18	46.80	33.60	33.60	43.00
M42440-2x4	8	25.80	12.60	12.60	22.00	M42440-2x10	20	51.00	37.80	37.80	47.20
M42440-2x5	10	30.00	16.80	16.80	26.20	M42440-2x11	22	55.20	42.00	42.00	51.40
M42440-2x6	12	34.20	21.00	21.00	30.40	M42440-2x12	24	59.40	46.20	46.20	55.60
M42440-2x7	14	38.40	25.20	25.20	34.60						

