

3.00mm(.118") Wire To Wire And Wire To Board Connector



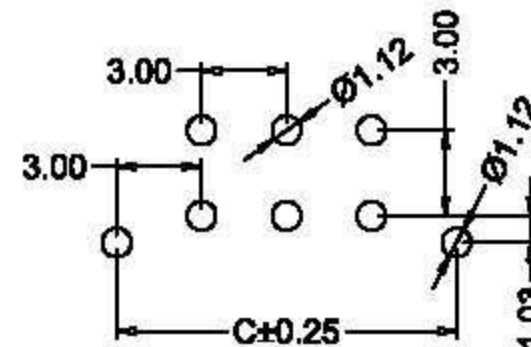
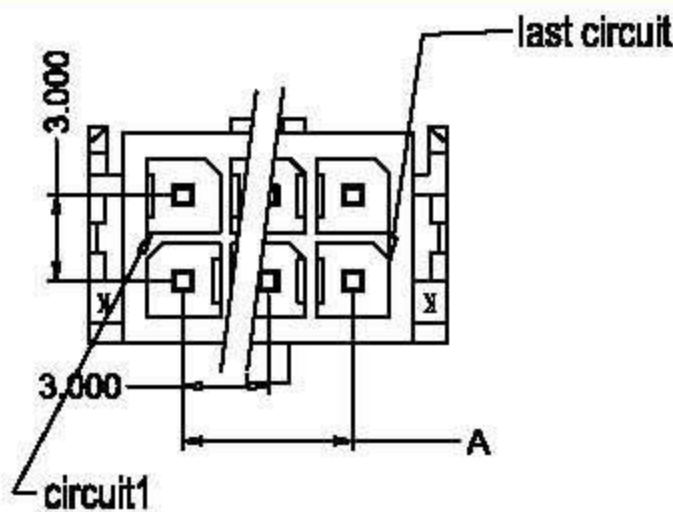
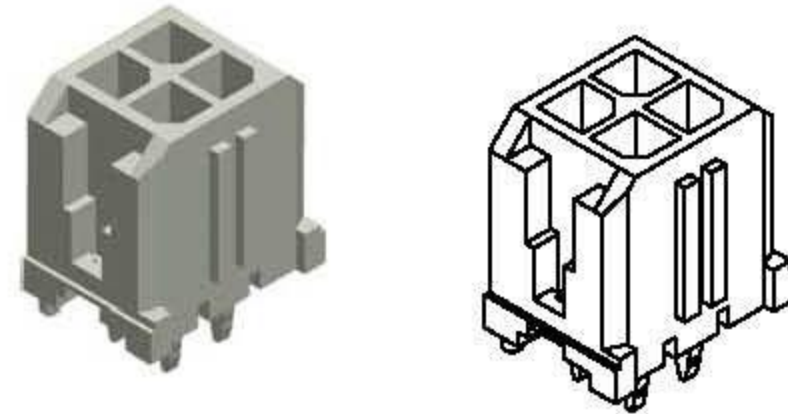
Connector & Terminal

Shenzhen Hongru Connector Co., Ltd

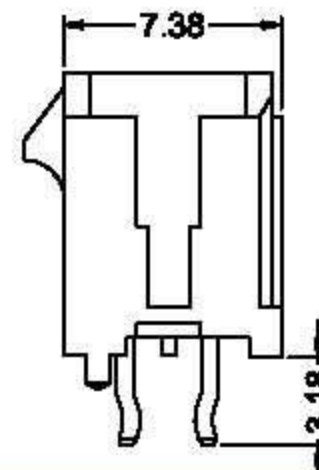
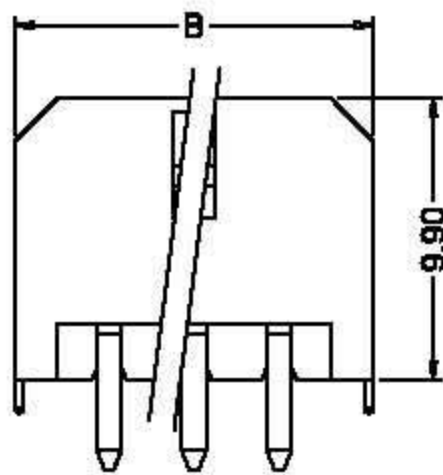
Email: yukyli@hrb-connector.com
 Tel: 86-0755 2709 6669
 Fax: 86-0755 2709 2392
 Skype: haiyuncheng-vivian
 Mobile(whatsapp): 86-186 8112 3590
 Website: <http://www.hrb-connector.com>

SPECIFICATIONS:

- Current Rating: 5A AC, DC
- Voltage Rating: 250V AC, DC
- Operating Temperature: -40°C ~ +130°C
- Contact Resistance: 10mΩ max.
- Insulation Resistance: 1000MΩ Min.
- Withstanding Voltage: 1500V AC/minute
- Material: Housing: Nylon46 UL94V-0
 Pin: Brass, Tin Plated
- Mate With: P3025 Series
- Housing And Pin Retention Force Requirement: 2.0 kg (Min.)



PCB LAYOUT



Ordering Information And Dimensions

Part NO.		Dimensions			Part NO.		Dimensions		
TYP UL94V-0	Circuits	Dim:A	Dim:B	Dim:C	TYP UL94V-0	Circuits	Dim:A	Dim:B	Dim:C
M3045-2x1-B	2	/	6.65	6.00	M3045-2x7-B	14	18.00	24.65	24.00
M3045-2x2-B	4	3.00	9.65	9.00	M3045-2x8-B	16	21.00	27.65	27.00
M3045-2x3-B	6	6.00	12.65	12.00	M3045-2x9-B	18	24.00	30.65	30.00
M3045-2x4-B	8	9.00	15.65	15.00	M3045-2x10-B	20	27.00	33.65	33.00
M3045-2x5-B	10	12.00	18.65	18.00	M3045-2x11-B	22	30.00	36.65	36.00
M3045-2x6-B	12	15.00	21.65	21.00	M3045-2x12-B	24	33.00	39.65	39.00

