

# 4.2mm(.165")Wire To Wire And Wire To Board Connector



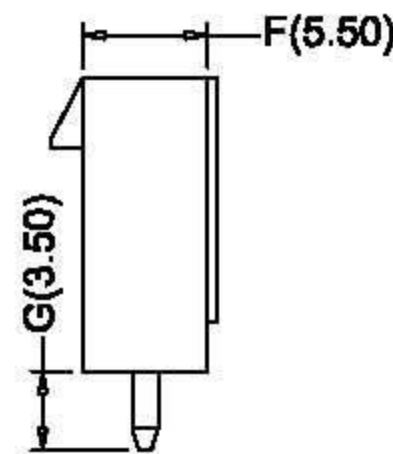
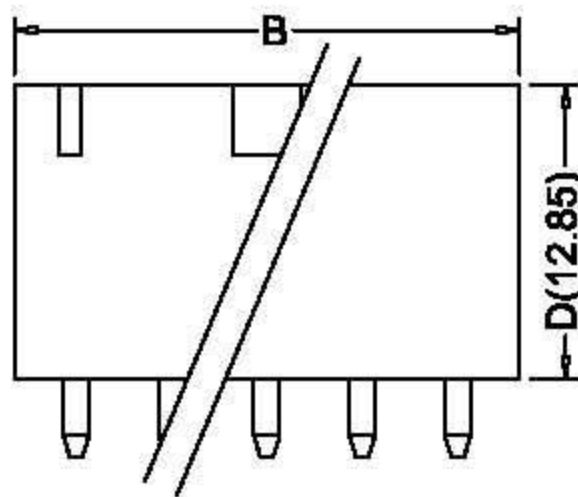
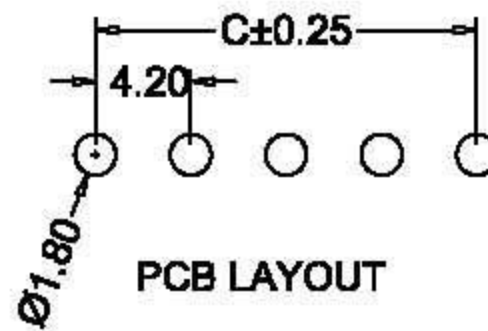
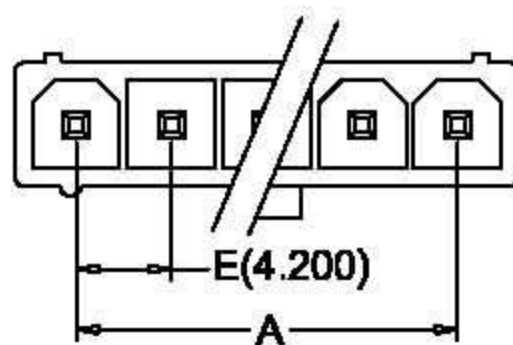
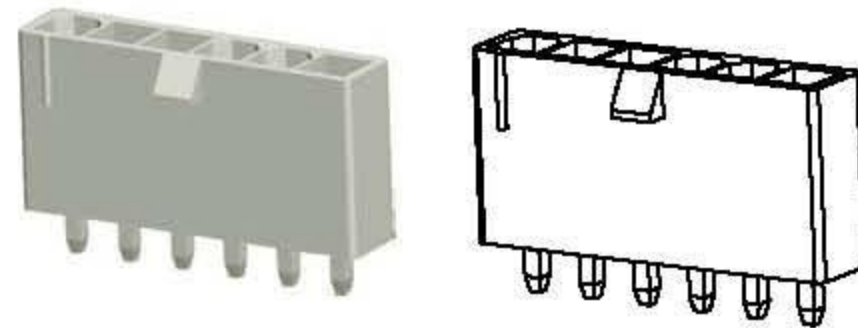
Connector & Terminal

Shenzhen Hongru Connector Co., Ltd

Email: yukyli@hrb-connector.com  
 Tel: 86-0755 2709 6669  
 Fax: 86-0755 2709 2392  
 Skype: haiyuncheng-vivian  
 Mobile(whatsapp): 86-186 8112 3590  
 Website: <http://www.hrb-connector.com>

## SPECIFICATIONS:

- Current Rating: 9A AC, DC
- Voltage Rating: 600V AC, DC
- Operating Temperature: V2: -25°C ~ +85°C  
 V0: -40°C ~ +105°C
- Contact Resistance: 10mΩ max.
- Insulation Resistance: 1000MΩ Min.
- Withstanding Voltage: 1500V AC/minute
- Material: Housing: Nylon66 UL94V-2/UL94V-0  
 Pin: Brass. Tin plated
- Pin In Housing Retention Force Requirement: 3.5kg (Min.)



## Ordering Information And Dimensions

Part NO.		Circuits	Dimensions			Part NO.		Circuits	Dimensions		
TYP UL94V-0	TYP UL94V-2		Dim:A	Dim:B	Dim:C	TYP UL94V-0	TYP UL94V-2		Dim:A	Dim:B	Dim:C
M4257-1x2-A	M4257-1x2-B	2	4.20	9.80	4.20	M4257-1x8-A	M4257-1x8-B	8	29.40	34.80	29.40
M4257-1x3-A	M4257-1x3-B	3	8.40	13.80	8.40	M4257-1x9-A	M4257-1x9-B	9	33.60	39.00	33.60
M4257-1x4-A	M4257-1x4-B	4	12.60	18.00	12.60	M4257-1x10-A	M4257-1x10-B	10	37.80	43.20	37.80
M4257-1x5-A	M4257-1x5-B	5	16.80	22.20	16.80	M4257-1x11-A	M4257-1x11-B	11	42.00	47.40	42.00
M4257-1x6-A	M4257-1x6-B	6	21.00	26.40	21.00	M4257-1x12-A	M4257-1x12-B	12	46.20	51.60	46.20
M4257-1x7-A	M4257-1x7-B	7	25.20	30.60	25.20						

